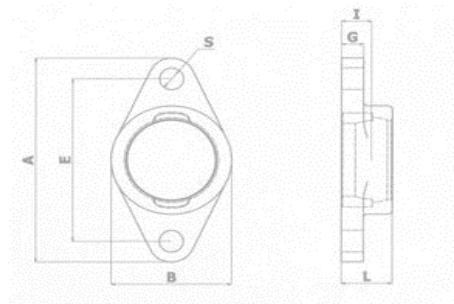


## UCFL 200 Series

**STEEL 2 BOLT FLANGE UNITS** Guaranteed against breakage. Heavy-duty steel housings for self-aligning ball bearing inserts.

For use in arduous conditions where cast iron units break due to shock or vibration.



Unit No	Size imp	Size mm	Hsg only	Brg no	Øsph	A	E	I	G	L	S	B	BOLT G
UCFL206T-17E UCFL206T-18E UCFL206T-30M UCFL206T-19E	1 1/16 1 1/8 1 3/16	30	FL206T	UC206-17 UC206-18 UC206 UC206-19	62	148	117	18	13	31	16	80	M14
UCFL207T-20E UCFL207T-21E UCFL207T-22E UCFL207T-35M UCFL207T-23E	1 1/4 1 5/16 1 3/8 1 7/16	35	FL207T	UC207-20 UC207-21 UC207-22 UC207 UC207-23	72	161	130	19	14	34	16	90	M14
UCFL208T-24E UCFL208T-25E UCFL208T-40M	1 1/2 1 9/16	40	FL208T	UC208-24 UC208-25 UC208	80	175	144	21	14	36	16	100	M14
UCFL209T-26E UCFL209T-27E UCFL209T-28E UCFL209T-45M	1 5/8 1 11/16 1 3/4	45	FL209T	UC209-26 UC209-27 UC209-28 UC209	85	188	148	22	15	38	19	108	M16
UCFL210T-29E UCFL210T-30E UCFL210T-31E UCFL210T-50M	1 13/16 1 7/8 1 15/16	50	FL210T	UC210-29 UC210-30 UC210-31 UC210	90	197	157	22	15	40	19	115	M16
UCFL211T-32E UCFL211T-33E UCFL211T-34E UCFL211T-55M UCFL211T-35E	2 2 1/16 2 1/8 2 3/16	55	FL211T	UC211-32 UC211-33 UC211-34 UC211 UC211-35	100	224	184	25	18	43	19	130	M16
UCFL212T-36E UCFL212T-37E UCFL212T-60M UCFL212T-38E UCFL212T-39E	2 1/4 2 3/16 2 3/8 2 7/16	60	FL212T	UC212-36 UC212-37 UC212 UC212-38 UC212-39	110	250	202	29	18	48	23	140	M20
UCFL213T-40E UCFL213T-65M	2 1/2	65	FL213T	UC213-40 UC213	120	258	210	30	20	50	23	155	M20
UCFL214T-43E UCFL214T-44 UCFL214T-70M	2 11/16 2 3/4	70	FL214T	UC214-43 UC214-44 UC214	125	265	216	31	20	54	23	160	M20
UCFL215T-46E UCFL215T-47E UCFL215T-75M UCFL215T-48E	2 7/8 2 15/16 3	75	FL215T	UC215-46 UC215-47 UC215 UC215-48	130	275	225	34	20	56	23	165	M20
UCFL216T-80M		80	FL216T	UC216	140	290	233	34	20	58	25	180	M22
UCFL217T-52E UCFL217T-85M	3 1/4	85	FL217T	UC217-52 UC217	150	305	248	36	22	63	25	190	M22
UCFL218T-56E UCFL218T-90M	3 1/2	90	FL218T	UC218-56 UC218	160	320	265	40	23	68	25	205	M22