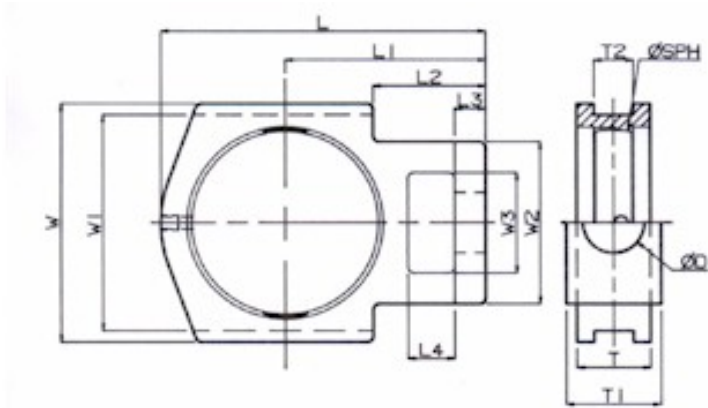
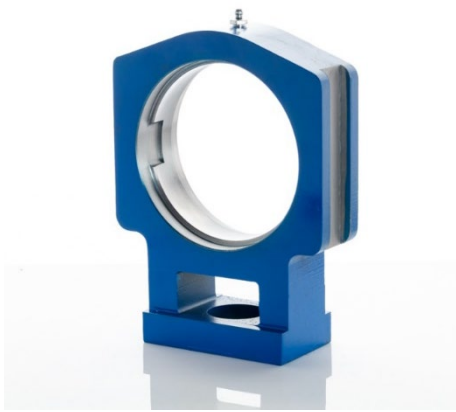


ST Series

Heavy-duty Steel Take Up Units for self-aligning ball bearing inserts.

For use in arduous conditions where cast iron units break due to shock or vibration.

Guaranteed against breakage (Also available in Stainless Steel)



Part No	BRG*	Ø Sphere	L	L1	L2	L3	L4	W	W1	W2	W3	T	T1	T2
ST3T	1025	52	98	62	36.5	11.5	16	88.5	76	58.5	32	27.5	36	13.5
ST4T	1030	62	116	71.7	43	12.5	16.5	101.5	89	64.5	37.5	30	36.5	13.5
ST5T	1035	72	124	75.5	43	12.5	16.5	101.5	89	64.5	37.5	30	36.5	13.5
ST6T	1040	80	144	89.2	50.5	15.5	20.5	118	101	82.5	49.5	37	49.5	17.5
ST7T	1045	85	147	89.2	50.5	15.5	20.5	118	101	82.5	49.5	37	49.5	17.5
ST8T	1050	90	151	90.5	50.5	15.5	20.5	118	101	82.5	49.5	37	49.5	17.5
ST9T	1055	100	182	114	70	19	32	146	130	101	64	46.5	63.5	27
ST10T	1060	110	192	119	70	19	32	146	130	101	64	46.5	63.5	27
ST11T	1070	125	224	136.5	76.2	20.6	31.8	166.7	151	111	70	51	68	27
ST12T	1075	130	229	140	79	21	32	167	150.8	111	70	51	68	27
ST13T	1080	140	235	140	79	21	32	184	165	111	70	54	68	27

To suit any manufacturers, insert*