

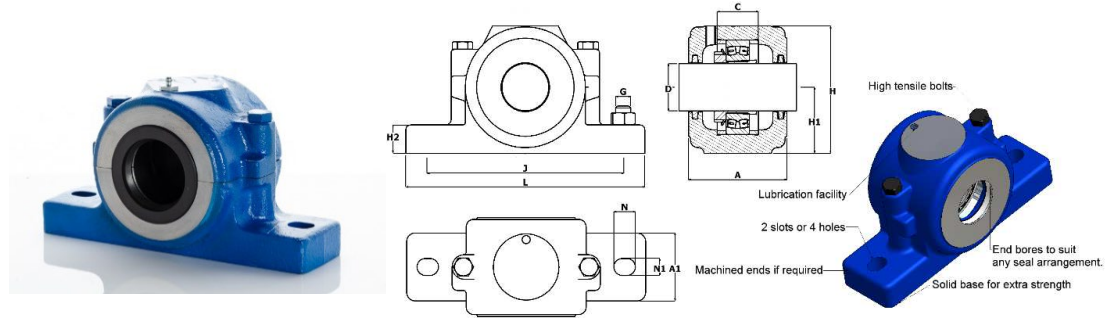
SSNT 500 SERIES

CAST STEEL
BS3100 GRADE A2

2 slots or 4 holes

SSNT 200,300 & 500

Series available



Machined to receive spherical bearings with adaptor sleeves

BRG I/Dia (d)	Type	A	A1	C	H	H1	H2	J	L	N	N1	G	Bearing	Adaptor	Locating Rings	
														Sleeve	No	Designation
45	SSNT510	90	60	41	115	60	25	170	205	20	15	12	1210K	H210	2	FRB 10.5/90
													2210K	H310	2	FRB 9/90
													22210CCK	H310	2	FRB 9/90
50	SSNT 511	95	70	44	130	70	28	210	255	23	18	16	1211K	H211	2	FRB 11.5/100
													2211K	H311	2	FRB 9.5/100
													22211CCK	H311	2	FRB 9.5/100
55	SSNT 512	105	70	48	135	70	30	210	255	23	18	16	1212K	H212	2	FRB 13/110
													2212K	H312	2	FRB 10/1110
													22212CCK	H312	2	FRB 10/110
60	SSNT 513	110	80	51	150	80	30	230	275	23	18	16	1213K	H213	2	FRB 14/120
													2213K	H313	2	FRB 10/120
													22213CCK	H313	2	FRB 10/120
65	SSNT515	115	80	56	155	80	30	230	280	23	18	16	1215K	H215	2	FRB 15.5/130
													2215K	H315	2	FRB 12.5/130
													22215CCK	H315	2	FRB 12.5/130
70	SSNT 516	120	90	58	175	95	32	260	315	27	22	20	1216K	H216	2	FRB 16/140
													2216K	H316	2	FRB 12.5/140
													22216CCK	H316	2	FRB 12.5/140
75	SSNT 517	125	90	61	185	95	32	260	320	27	22	20	1217K	H217	2	FRB 16.5/150
													2217K	H317	2	FRB 12.5/150
													2221CCK/W33	H317	2	FRB 12.5/150
80	SSNT 518	140	100	65	195	100	35	290	345	27	22	20	1218K	H218	2	FRB 17.5/160
													2218K	H318	2	FRB 12.5/160
													22218CCK/W33	H318	2	FRB 12.5/160
85	SSNT519	145	100	68	210	112	35	290	345	27	22	20	23218CCK	H2318	1	FRB 6.25/160
													1219K	H219	2	FRB18/170
													2219K	H319	2	FRB12.5/170
90	SSNT 520	160	110	70	215	112	40	320	380	32	26	24	2219CCK/W33	H319	2	FRB12.5/170
													1220K	H220	2	FRB 18/180
													2220K	H320	2	FRB 12/180
100	SSNT 522	175	120	80	240	125	45	350	410	32	26	24	22220CCK/W33	H320	2	FRB 12/180
													23220CCK/W33	H2320	1	FRB 4.85/180
													1222K	H222	2	FRB 21/200
110	SSNT 524	185	120	86	270	140	45	350	410	32	26	24	2222K	H322	2	FRB 13.5/200
													2222CCK/W33	H322	2	FRB 13.5/200
													23222CCK/W33	H2322	1	FRB 5.1/200
115	SSNT 526	190	130	90	290	150	50	380	445	35	28	24	22224CCK/W33	H3124	2	FRB 14/215
													23224CCK/W33	H2324	1	FRB 10/215
													22226CCK/W33	H3126	2	FRB13/230
125	SSNT 528	205	150	98	305	150	50	420	500	42	35	30	23226CCK/W33	H2326	1	FRB 10/230
													22228CCK/W33	H3128	2	FRB 15/250
													23228CCK/W33	H2328	1	FRB 10/250
135	SSNT 530	220	160	106	325	160	60	450	530	42	35	30	22230CCK/W33	H3130	2	FRB 16.5/270
													23230CCK/W33	H2330	1	FRB 10/270
													22232CCK/W33	H3132	2	FRB 17/290
140	SSNT 532	235	160	114	345	170	60	470	550	42	35	30	23232CCK/W33	H2332	1	FRB10/290
													23232CCK/W33	H2332	1	FRB10/290