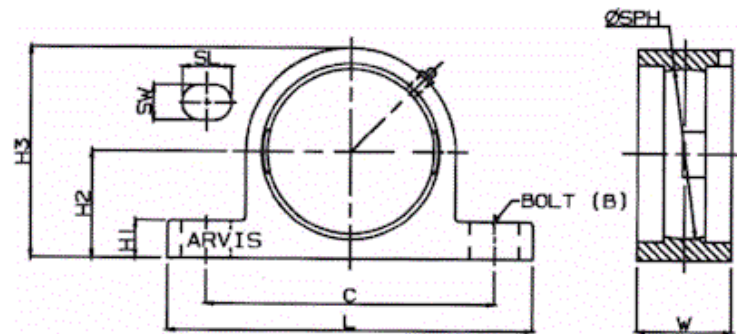
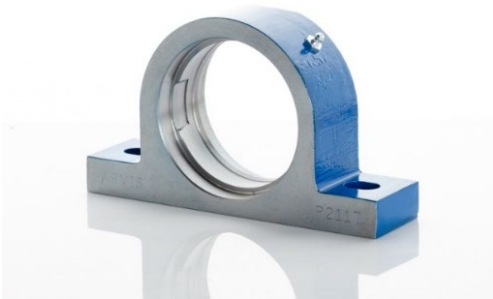


SL Series

STEEL PILLOW BLOCKS.
(Also available in Stainless Steel)

Guaranteed against breakage

Heavy-duty steel housings for self-aligning ball bearing inserts. For use in arduous conditions where cast iron units break due to shock, vibration, over-load, or impact.



Part No	BRG*	ØSPH	L	C	W	H1	H2	H3	SL	SW	BOLT
SL3T	1025	52	139	104.2	34	12.8	33.32	68.5	24	11	M10
SL4T	1030	62	162	119.5	38	15	39.67	79.5	22.5	14	M12
SL5T	1035	72	166	129	38	16	46.02	91.5	20	14	M12
SL6T	1040	80	180	137.5	43	18.3	49.2	98.5	28	14	M12
SL7T	1045	85	197.5	151.5	43	18.4	52.37	106.5	24	14	M12
SL8T	1050	90	214	164	53	19.3	55.55	114	25	14	M12
SL9T	1055	100	219.5	170.5	57	23.2	61.9	128	24	18	M16
SL10T	1060	110	249	193.7	57	28.5	68.25	138	28	18	M16
SL11T	1075	130	298	231.8	68	34.9	82.55	167	31	22	M20

To suit any manufacturers, insert*