

## FULLY SPLIT SELF ALIGNING PLAIN BEARING UNITS

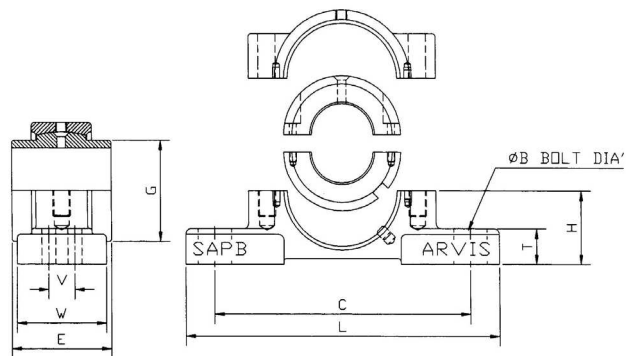
Can be supplied with most proprietary bush materials.

Housing groups 1 to 6 have two holding down bolts in the base.

Housing groups 7 and above have four holding down bolts in the base.

When ordering quote, the group number and the suffix 'S' followed by the shaft size and the bush reference, e.g., **SB6S75M-ORKOT**

Our sales staff will be pleased to assist.



**R = OVERALL HEIGHT OF ASSEMBLED UNIT**

HOUSING GROUP												
	mm	Inch	E	G	L	C	V	H	R	W	T	B
1		1, 1 1/8	2	1 3/4	6 5/8	4 7/8		1 3/8	2 13/16	1 5/8	5/8	M10
	25		50	45	156	124		34.9	73	40	16	
2		1 1/4, 1 3/8, 1 1/2	2	2 1/4	7 1/16	5 3/4		1 3/8	3 3/16	1 3/4	11/16	M12
	30, 35		50	57	179	146		41.3	80	45	20	
3		1 5/8, 1 3/4	3	2 5/8	7 3/4	6 1/4		2	3 15/16	2	7/8	M12
	40, 45		76	67	196	159		50.8	100	50	22	
4		1 7/8, 2, 2 1/4	3 or 4	3 1/4	9 1/4	7 1/2		2 3/8	4 11/16	2 1/4	7/8	M16
	50,55,60		76 or 100	83	235	190		60.3	119	60	22	
5		2 1/2, 2 3/4	4	3 3/4	10	8 1/4		2 3/4	5 3/8	2 1/2	1	M20
	65,70		100	86	254	210		69.9	137	65	25	
6		3, 3 1/2	5 or 6	4 1/2	12 1/2	9 5/8		3 1/2	7	3 3/8	1 1/4	M20
	75,80,85		127 or 152	114	318	245		88.9	178	90	30	
7		4	6	5 5/8	13 1/2	11 1/4	2	4	7 5/8	4	1 3/8	M16
	90,100		152	130	343	285	50	101.6	194	100	35	
8		4 1/2, 5	7 1/2	6 1/4	15 1/2	12 3/8	2 3/4	4 3/4	9 1/2	5	1 1/2	M20
	110,115,125		190	159	394	315	70	120.7	240	125	40	
9		5 5/8, 6, 6 1/2	9	8 5/8	17 1/2	14 1/4	3 1/2	5 5/8	11 1/4	6	1 3/4	M24
	135,140,150		228	206	445	360	90	142.9	285	150	45	
10		7, 7 1/2, 8	10	10 1/2	23 3/4	19 1/2	4 1/4	7 1/4	14 1/2	8	2 1/2	M30
	175,180,200		254	267	603	495	110	184.2	368	200	65	
11		8 1/2, 9	13	11 5/8	24 5/8	20 1/2	5 3/4	8	16	9	3	M36
	220		330	299	625	520	145	203.2	406	230	75	
12		10, 10 1/2	15 1/2	13	25 1/2	21 1/4	6 3/4	8 3/4	17 1/2	10 1/2	3 1/2	M36
	250,260,300		394	330	648	540	170	222.3	445	270	90	

**Customised or steel versions of these units can be supplied - Specials made to order**