

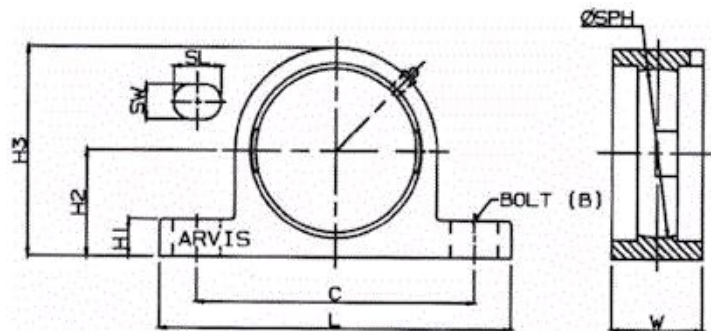
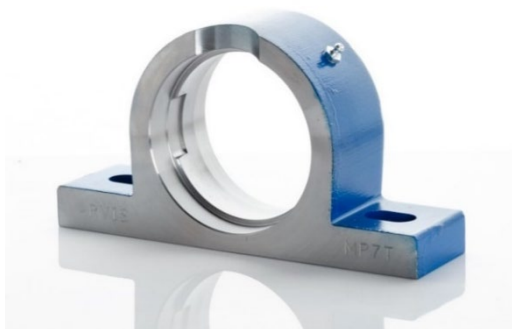
MP Series

STEEL PILLOW BLOCKS (Also available in Stainless Steel)

Guaranteed against breakage

Heavy-duty steel housings for self-aligning ball bearing inserts.

For use in arduous conditions where cast iron units break due to shock, vibration, over-load, or impact.



Part No	BRG*	Ø Sphere	L	C	W	H1	H2	H3	SL	SW	BOLT
MP1T	1030	62	160.5	121.25	39	18.3	44.45	84.5	20	14	M12
MP2T	1035	72	166	129	43	17.5	47.6	93	19.5	14	M12
MP3T	1040	80	203	147.5	48.5	23	53.98	106.5	24.5	14	M12
MP4T	1045	85	220	156	48.5	25	58.72	116	33	18	M16
MP5T	1050	90	222	158.75	48.5	22.5	58.72	117.5	30	18	M16
MP6T	1055	100	220	170	57	25	63.5	129.5	24	18	M16
MP7T	1060	110	260	187.5	68	27	69.85	143	34	22	M20
MP8T	1070	125	286	206.9	73	27	76.2	159	38.9	22	M20
MP9T	1075	130	330	230.8	78	28.6	88.9	178	50	26	M24
MP10T	1080	140	330	241.8	83	42	88.9	184	37.8	26	M24
MP11T	1085	150	381	288.75	88	31.8	101.6	203	52.8	26	M24
MP12T	1090	160	381	282.6	93	33.3	101.6	210	61	26	M24
MP13T	3095	200	432	336.55	103	40	127	254	59	26	M24

To suit any manufacturers, insert*