

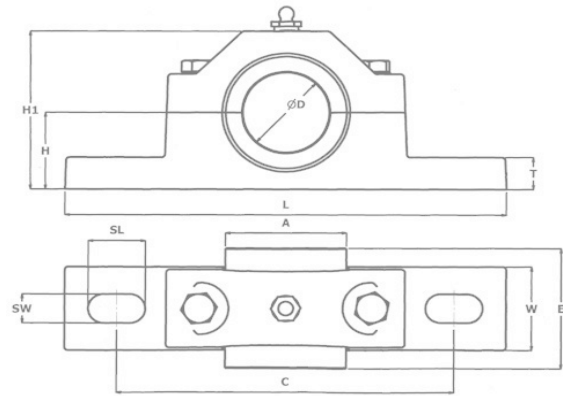
NON-SELF OILING PLUMMER BLOCKS

Introduced as replacements for the disposable LS Series.

The LN Series are fully split units with fully machined inserts and housings to allow replacement of inserts.

This range is supplied with a re-grease facility.

The standard bushes are Gun metal, but other materials are available when gun metal is not suitable.



Metric

DØ	Mark	Pt No	H	H1	L	T	E	A	W	C	SW	SL
25mm	C04/5	LN25M	32	69	159	16	45	50	40	127.5	11.5	19
30	C07/8	LN30M	38	82	185	16	50	60	47	147.5	11.5	19
35	C07/8	LN35M	38	82	185	16	52.5	60	47	147.5	11.5	19
40	C10/11	LN40M	41.3	86.3	190	20	57	60	46	161	14.5	24.75
40	C13/14	LN40M/C13	48	99	255	20	75	70	52	195	18	33
45	C13/14	LN45M	48	99	255	20	67.5	70	52	195	18	33
50	C13/14	LN50M	48	99	255	20	75	70	52	195	18	33

Imperial

DØ	Mark	Pt No	H	H1	L	T	E	A	W	C	SW	SL
1"	C04/5	LN16E	1.260	2.716	6.260	0.625	1.772	1.968	1.575	5.020	0.453	0.750
1 ¼"	C07/8	LN20E	1.500	3.230	7.284	0.625	2.000	2.362	1.850	5.807	0.453	0.750
1 ⅜"	C07/8	LN22E	1.500	3.230	7.284	0.625	2.250	2.362	1.850	5.807	0.453	0.750
1 ½"	C10/11	LN24E	1.625	3.398	7.480	0.787	2.250	2.362	1.811	6.338	0.570	0.975
1 ¾"	C13/14	LN28E	1.890	3.898	10.04	0.787	2.953	2.756	2.047	7.677	0.709	1.300
2"	C13/14	LN32E	1.890	3.898	10.04	0.787	2.953	2.756	2.047	7.677	0.709	1.300