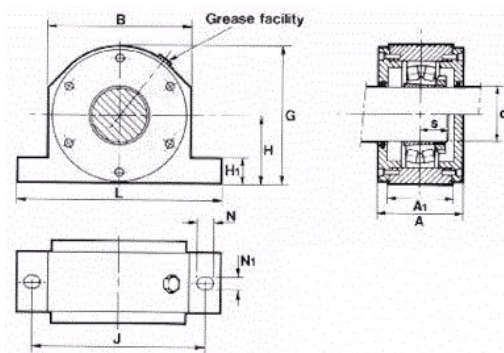
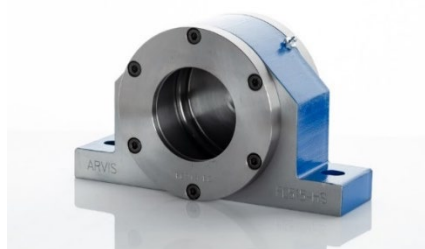


FLAME CUT STEEL BEARING HOUSINGS. Fully interchangeable with SN style bearing housings



Machined to receive parallel bore spherical roller bearings. Can be machined for 2 or 4 bolt fixings.

Shaft Dia d		Type	H	J	N1	N	A	L	A1	H1	B	G	S	Bearing	Adapter Sleeve	No	Locating Rings	
mm	(Inches)																Designation	Designation
45		FC 510	60	170	15	20	90	205	60	25	120	116		1210	H 210	2	FRB 10.5/90	
														2210	H310	2	FRB 9/90	
														22210	H 310	2	FRB 9/90	
50	1 15/16, 2	FC 511	70	210	18	23	90	255	60	28	160	140	28	1211K	H 211	2	FRB 11.5/100	
														2211K	H311	2	FRB 9.5/100	
														22211CK	H 311	2	FRB 9.5/100	
55		FC 512	70	210	18	23	95	255	65	30	170	140	30	1212K	H212	2	FRB 13/110	
														2212K	H312	2	FRB 10/1110	
														22212K	H312	2	FRB 10/1110	
60	2 3/16, 2 1/4	FC 513	80	230	18	23	105	275	70	30	190	160	33	1213K	H213	2	FRB 14/120	
														2213K	H313	2	FRB 10/120	
														22213CK	H313	2	FRB 10/120	
65	2 7/16, 2 1/2	FC 515	80	230	18	23	105	280	70	30	190	160	34	1215K	H215	2	FRB 15.5/130	
														2215K	H315	2	FRB 12.5/130	
														22215CK	H315	2	FRB 12.5/130	
70	2 11/16, 2 3/4	FC 516	95	260	22	27	110	315	75	32	210	190	37	1216K	H216	2	FRB 16/140	
														2216K	H316	2	FRB 12.5/140	
														22216CK	H316	2	FRB 12.5/140	
75	2 15/16, 3	FC 517	95	260	22	27	115	320	85	32	210	190	40	1217K	H217	2	FRB 16.5/150	
														2217K	H317	2	FRB 12.5/150	
														22217CK	H317	2	FRB 12.5/150	
80	3 3/16	FC 518	100	290	22	27	130	345	95	35	235	220	47	1218K	H218	2	FRB 17.5/160	
														2218K	H318	2	FRB 12.5/160	
														22218CK	H318	2	FRB 12.5/160	
														23218CK	H2318	2	FRB 6.25/160	
85	3 5/16, 3 1/4	FC 519	112	290	22	27	135	345	95	35	235	222	45	1219K	H 219	2	FRB 18/170	
														2219K	H 319	2	FRB 12.5/170	
														22219CK	H 319	2	FRB 12.5/170	
90	3 7/16, 3	FC 520	112	320	26	32	145	380	105	40	260	222	53	1220K	H220	2	FRB 18/180	
														2220K	H320	2	FRB 12/180	
														22220CK	H320	2	FRB 12/180	
														23220CK	H2320	2	FRB 4.85/180	
100	3 15/16, 4	FC 522	125	350	26	32	155	410	110	45	290	250	58	1222K	H222	2	FRB 21/200	
														2222K	H322	2	FRB 13.5/200	
														22222CK	H322	2	FRB 13.5/200	
														23222CK	H2322	2	FRB 5.1/200	
110	4 3/16, 4 1/4	FC 524	140	350	26	32	170	410	120	45	120	280	62	22224CK/W33	H3124	2	FRB 22/215	
														23224CK/W33	H2324	2	FRB 14/215	
115	4 7/16, 4 1/2	FC 526	150	380	28	35	180	445	130	50	320	300	65	22226CK/W33	H3126	2	FRB 5/230	
														23226CK/W33	H 2326	2	FRB 15/5/230	
125	4 15/16, 5	FC 528	150	420	35	42	190	500	135	50	350	305	70	22228CK/W33	H 3128	2	FRB 15/250	
														23228CK/W33	H 2328	2	FRB 5/250	
135	5 3/16, 5 1/4	FC 530	160	450	35	42	200	530	145	60	370	325	76	22230CK/W33	H 3130	2	FRB 16.5/270	
														23230CK/W33	H2330	2	FRB 16.5/270	
140	5 7/16, 5 1/2	FC 532	170	470	35	42	220	550	160	60	390	345	82	22232CK/W33	H3132	2	FRB 17/290	
														23232CK/W33	H2332	2	FRB 5/290	