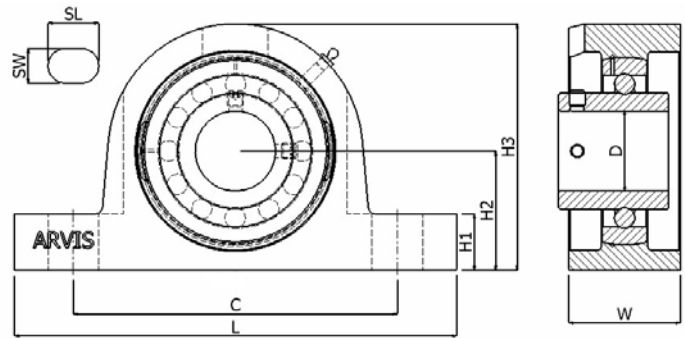


# UCP 300 Series

## STEEL PILLOW BLOCKS Guaranteed against breakage.

Heavy-duty steel housings for self aligning ball bearing inserts.  
For use in arduous conditions where cast iron units break due to shock or vibration.



Unit No	Size imp	Size mm	Hsg only	Brg no	Øsph	L	C	W	H1	H2	H3	SL	SW	BOLT	Weight KG
UCP305-14E UCP305-25M UCP305-16E	7/8 1	25	P305T	UCP305-14 UCP305 UCP305-16	62	175	132	-0	16	45	85	20	17	M12	1.7
UCP306T-18E UCP306T-30M	1 1/8	30	P306T	UC306-18 UC306	72	180	140	42	17	50	95	20	17	M12	2.2
UCP307T-20E UCP307T-22E UCP307T-35M	1 1/4 1 3/8	35	P307T	UC307-20 UC307-22 UC307	80	210	160	47	19	56	107	25	17	M12	3.0
UCP308T-24E UCP308T-40M	1 1/2	40	P308T	UC308-24 UC308	90	220	170	47	19	60	118	27	17	M12	3.8
UCP309T-26E UCP309T-28E UCP309T-45M	1 5/8 1 3/4	45	P309T	UC309-26 UC309-28 UC309	100	245	190	53	21	67	132	30	20	M16	4.9
UCP310T-30E UCP310T-50M	1 7/8	50	P310T	UC310-30 UC310	110	275	212	58	24	75	148	35	20	M16	6.6
UCP311T-32E UCP311T-34E UCP311T-55M	2 2 1/8	55	P311T	UC311-32 UC311-34 UC311	120	310	236	63	27	80	158	38	20	M16	7.9
UCP312T-36E UCP312T-60M UCP312-38E	2 1/4 2 3/8	60	P312T	UC312-36 UC312 UC312-38	130	330	250	68	29	85	167	38	25	M20	9.5
UCP313T-40E UCP313T-65M	2 1/2	65	P313T	UC313-40 UC313	140	340	260	73	32	90	176	38	25	M20	10.7
UCP314T-44 UCP314T-70M	2 3/4	70	P314T	UC314-44 UC314	150	360	280	78	35	95	186	40	27	M20	12.4
UCP315T-75M UCP315T-48E	3	75	P315T	UC315 UC315-48	160	380	290	82	35	100	198	40	27	M24	14.8
UCP316T-50E UCP316T-80M	3 1/8	80	P316T	UC316-50 UC316	170	400	300	88	35	106	209	40	27	M24	18.5
UCP317T-52E UCP317T-85M	3 1/4	85	P317T	UC317-52 UC317	180	420	320	93	40	112	220	45	33	M24	20.3
UCP318T-56E UCP318T-90M	3 1/2	90	P318T	UC318-56 UC318	190	430	330	93	40	118	234	45	33	M24	22.8
UCP319T-95M UCP319T-60E	3 3/4	95	P319T	UC319 UC319-60	200	470	360	101	46	125	248	50	36	M30	29.0
UCP320T-100M UCP320T-64E	4	100	P320T	UC320 UC320-64	215	490	380	102	46	140	273	50	36	M30	35.1
UCP321T-105M		105	P321T	UC321	225	490	380	103	46	140	278	50	36	M30	37.6
UCP322-110M UCP322-71E	4 7/16	110	P322T	UC322 UC322-71	240	520	400	116	50	150	296	55	40	M36	44.0
UCP324T-120M UCP324T-79E	4 15/16	120	P324T	UC324 UC324-79	260	570	450	121	50	160	316	55	40	M36	55.4
UCP326T-130M UCP326T-82E	5 1/8	130	P326T	UC326 UC326-82	280	600	480	123	50	180	335	55	40	M36	72.1
UCP328-88E UCP328-140M	5 1/2	140	P328T	UC328-88 UC328	300	620	500	128	60	200	393	55	40	M36	92.5