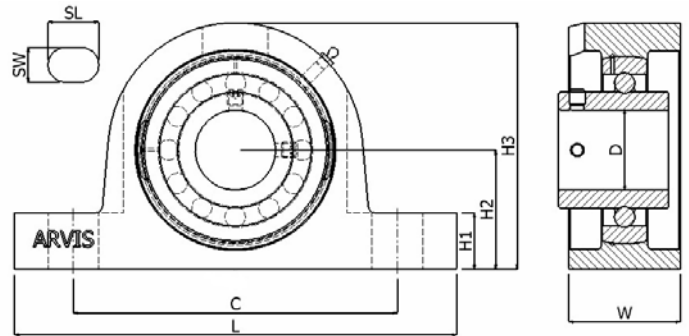


UCP 200 Series

STEEL PILLOW BLOCKS Guaranteed against breakage.

Heavy-duty steel housings for self aligning ball bearing inserts.

For use in arduous conditions where cast iron units break due to shock or vibration.



Unit No	Size imp	Size mm	Hsg only	Brg no	Øsph	L	C	W	H1	H2	H3	SL	SW	BOLT
UCP201T-12M UCP201T-08E UCP201T-09E UCP202T-15M UCP202T-10E UCP203T-17M UC203T-11E	1/2 9/16 5/8 11/16	12 15 17	P203T	UC201 UC201-08 UC201-09 UC202 UC202-10 UC203 UC203-11	47									
UCP204T-12E UCP204T-20M	3/4	20	P204T	UC204-12 UC204	47									
UCP205T-13E UCP205T-14E UCP205T-15E UCP205T-25M UCP205T-16E	13/16 7/8 15/16 1	25	P205T	UC205-13 UC205-14 UC205-15 UC205 UC205-16	52									
UCP206T-17E UCP206T-18E UCP206T-30M UCP206T-19E	1 1/16 1 1/8 1 3/16	30	P206T	UC206-17 UC206-18 UC206 UC206-19	62	160.5	121	39	18.3	42.9	84.5	20	14	M12
UCP207T-20E UCP207T-21E UCP207T-22E UCP207T-35M UCP207T-23E	1 1/4 1 5/16 1 3/8 1 7/16	35	P207T	UC207-20 UC207-21 UC207-22 UC207 UC207-23	72	166	129	43	17.5	47.6	93	19.5	14	M12
UCP208T-24E UCP208T-25E UCP208T-40M	1 1/2 1 9/16	40	P208T	UC208-24 UC208-25 UC208	80	180	136	43	18.3	49.2	91.2	24	15	M12
UCP209T-26E UCP209T-27E UCP209T-28E UCP209T-45M	1 5/8 1 11/16 1 3/4	45	P209T	UC209-26 UC209-27 UC209-28 UC209	85	190.5	146	47		54	146	21	15	M12
UCP210T-29E UCP210T-30E UCP210T-31E UCP210T-50M	1 13/16 1 7/8 1 15/16	50	P210T	UC210-29 UC210-30 UC210-31 UC210	90	206	159	48	21	57.2		22	20	M16
UCP211T-32E UCP211T-33E UCP211T-34E UCP211T-55M UCP211T-35E	2 2 1/16 2 1/8 2 3/16	55	P211T	UC211-32 UC211-33 UC211-34 UC211 UC211-35	100	220	170	57	25	63.5	129.5	24	18	M16
UCP212T-36E UCP212T-37E UCP212T-60M UCP212T-38E	2 1/4 2 3/16 2 3/8	60	P212T	UC212-36 UC212-37 UC212 UC212-38	110	260	187.5	68	27	69.85	143	34	22	M20
UCP213T-40E UCP213T-65M	2 1/2	65	P213T	UC213-40 UC213	120	265	203	61	26	76.2	150	30	25	M20
UCP214T-43E UCP214T-44E UCP214T-70M	2 11/16 2 3/4	70	P214T	UC214-43 UC214-44 UC214	125	266	206.9	72	27	79.4	159	30	22	M20
UCP215T-46E UCP215T-47E UCP215T-75M UCP215T-48E	2 7/8 2 15/16 3	75	P215T	UC215-46 UC215-47 UC215 UC215-48	130	275	217	73	28	82.6	162.6	30	25	M24
UCP216T-80M		80	P216T	UC216	140	292	232	78	33	88.9	184	35	26	M24
UCP217T-52E UCP217T-85M	3 1/4	85	P217T	UC217-52 UC217	150	310	247	83	32	95.2	185	35	26	M24
UCP218T-56E UCP218T-90M	3 1/2	90	P218T	UC218-56 UC218	160	327	262	88	34	101.6	210	40	26	M24