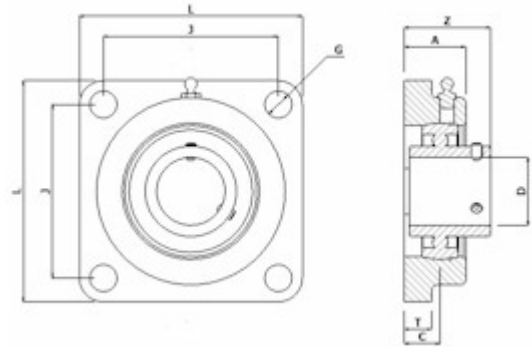


UCF 200 Series

STEEL SQUARE FLANGE UNITS Guaranteed against breakage.

Heavy-duty steel housings for self aligning ball bearing inserts.
For use in arduous conditions where cast iron units break due to shock or vibration.



Unit No	Size imp	Size mm	Hsg only	Brg no	Øsph	L	J	A	T	C	Z	BOLT G
UCF201T-12M UCF201T-08E UCF201T-09E UCF202T-15M UCF201T-10E UCF203T-17M UCF203T-11E UCF204T-12E UCF204T-20M	1/2 9/16 5/8 11/16 3/4	12 15 17 20	F204T	UC201 UC201-08 UC201-09 UC202 UC202-10 UC203 UC203-11 UC204-12 UC204	47	86	64	25.5	11	12.7	33.3	M10
UCF205T-13E UCF205T-14E UCF205T-15E UCF205T-25M UCF205T-16E	13/16 7/8 15/16 1	25	F205T	UC205-13 UC205-14 UC205-15 UC205 UC205-16	52	95	70	27	13	14.3	35.7	M10
UCF206T-17E UCF206T-18E UCF206T-30M UCF206T-19E	1 1/16 1 1/8 1 3/16	30	F206T	UC206-17 UC206-18 UC206 UC206-19	62	108	83	31	13	15.9	40.2	M10
UCF207T-20E UCF207T-21E UCF207T-22E UCF207T-35M UCF207T-23E	1 1/4 1 5/16 1 1/4 1 7/16	35	F207T	UC207-20 UC207-21 UC207-22 UC207 UC207-23	72	117	92	34	15	17.5	44.4	M12
UCF208T-24E UCF208T-25E UCF208T-40M	1 1/2 1 9/16	40	F208T	UC208-24 UC208-25 UC208	80	130	102	36	15	49.2	51.2	M12
UCF209T-26E UCF209T-27E UCF209T-28E UCF209T-45M	1 5/8 1 11/16 1 3/4	45	F209T	UC209-26 UC209-27 UC209-28 UC209	85	137	105	38	16	54	52.2	M12
UCF210T-29E UCF210T-30E UCF210T-31E UCF210T-50M	1 13/16 1 7/8 1 15/16	50	F210T	UC210-29 UC210-30 UC210-31 UC210	90	143	111	40	16	57.2	54.6	M16
UCF211T-32E UCF211T-33E UCF211T-34E UCF211T-55M UCF211T-35E	2 2 1/16 2 1/8 2 3/16	55	F211T	UC211-32 UC211-33 UC211-34 UC211 UC211-35	100	162	130	43	18	63.5	58.4	M16
UCF212T-36E UCF212T-37E UCF212T-60M UCF212T-38E	2 1/4 2 3/16 2 3/8	60	F212T	UC212-36 UC212-37 UC212 UC212-38	110	175	143	48	18	69.85	68.7	M20
UCF213T-40E UCF213T-65M	2 1/2	65	F213T	UC213-40 UC213	120	187	149	50	22	76.2	69.7	M20
UCF214T-43E UCF214T-44 UCF214T-70M	2 11/16 2 3/4	70	F214T	UC214-43 UC214-44 UC214	125	193	152	54	22	79.4	75.4	M20
UCF215T-46E UCF215T-47E UCF215T-75M UCF215T-48E	2 7/8 2 15/16 3	75	F215T	UC215-46 UC215-47 UC215 UC215-48	130	200	159	56	22	82.6	78.5	M24
UCF16T-80M		80	F216T	UC216	140	208	165	58	22	88.9	83.3	M24
UCF217T-52E UCF217T-85M	3 1/4	85	F217T	UC217-52 UC217	150	220	175	63	24	95.2	87.6	M24
UCF218T-56E UCF218T-90M	3 1/2	90	F218T	UC218-56 UC218	160	235	187	68	25	101.6	96.3	M24