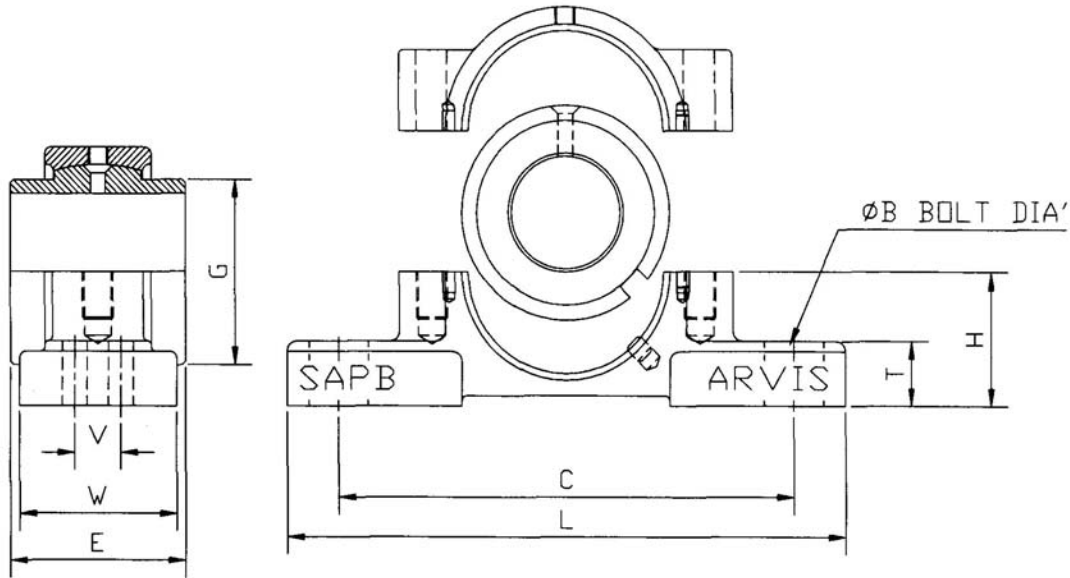


PART SPLIT SELF ALIGNING PLAIN BEARING UNITS

Housing groups 1 to 6 have two holding down bolts in the base.
Housing groups 7 and above have four holding down bolts in the base.

When ordering quote the group number followed by the shaft size and the bush reference, e.g. SB6-75M-ORKOT.
Our sales staff will be pleased to assist.



R = OVERALL HEIGHT OF ASSEMBLED UNIT

HOUSING GROUP	mm	Inch	E	G	L	C	V	H	R	W	T	B
1	25	1, 1 1/8	2 50	1 3/4 45	6 1/8 156	4 7/8 124		1 3/8 34.9	2 13/16 73	1 3/8 40	5/8 16	M10
2	30, 35	1 1/4, 1 3/8, 1 1/2	2 50	2 1/4 57	7 1/16 179	5 3/4 146		1 3/8 41.3	3 3/16 80	1 3/4 45	11/16 20	M12
3	40, 45	1 5/8, 1 3/4	3 76	2 3/8 67	7 3/4 196	6 1/4 159		2 50.8	3 15/16 100	2 50	7/8 22	M12
4	50, 55, 60	1 7/8, 2, 2 1/4	3 or 4 76 or 100	3 1/4 83	9 1/4 235	7 1/2 190		2 3/8 60.3	4 11/16 119	2 1/4 60	7/8 22	M16
5	65, 70	2 1/2, 2 3/4	4 100	3 3/4 86	10 254	8 1/4 210		2 3/4 69.9	5 3/8 137	2 1/2 65	1 25	M20
6	75, 80, 85	3, 3 1/2	5 or 6 127 or 152	4 1/2 114	12 1/2 318	9 3/8 245		3 1/2 88.9	7 178	3 3/8 90	1 1/4 30	M20
7	90, 100	4	6 152	5 1/2 130	13 1/2 343	11 1/4 285	2 50	4 101.6	7 3/8 194	4 100	1 3/8 35	M16
8	110, 115, 125	4 1/2, 5	7 1/2 190	6 3/4 159	15 1/2 394	12 3/8 315	2 3/4 70	4 3/8 120.7	9 1/2 240	5 125	1 1/2 40	M20
9	135, 140, 150	5 1/8, 6, 6 1/2	9 228	8 3/8 206	17 1/2 445	14 1/4 360	3 1/2 90	5 3/8 142.9	11 1/4 285	6 150	1 3/4 45	M24
10	175, 180, 200	7, 7 1/2, 8	10 254	10 1/2 267	23 3/4 603	19 1/2 495	4 3/4 110	7 3/4 184.2	14 1/2 368	8 200	2 1/2 65	M30
11	220	8 1/2, 9	13 330	11 3/8 299	24 3/8 625	20 1/2 520	5 3/4 145	8 203.2	16 406	9 230	3 75	M36
12	250, 260, 300	10, 10 1/2	15 1/2 394	13 330	25 1/2 648	21 1/4 540	6 3/4 170	8 3/4 222.3	17 1/2 445	10 1/2 270	3 1/2 90	M36

Customised or steel versions of these units can be supplied - Specials made to order