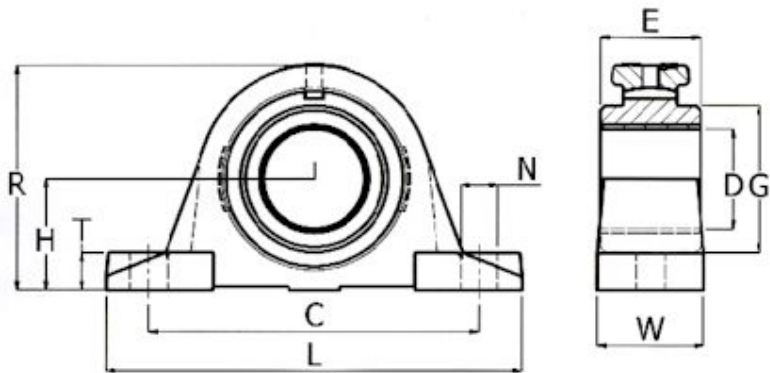


METRIC RANGE



SHAFT DIA	SHAFT TOLERANCE	
	DU	DX
10mm – 75mm	f7	h8
> 75mm	H8	H8

Type PB

All dimensions are in mm

D	Part No	E	H	C	B bolt	L	W	T	R	G	N
10	PB1-10M-DU	15	28.6	76	M8	102	25	10	56	33.3	13
	PB1-10M-DX										
12	PB1-12M-DU	15	28.6	76	M8	102	25	10	56	33.3	13
	PB1-10E-DX										
15	PB1-15M-DU	15	28.6	76	M8	102	25	10	56	33.3	13
	PB1-15M-DX										
20	PB2-20M-DU	20	33.3	95	M10	124	32	13	65	39.7	16
	PB2-20M-DX										
25	PB2-25M-DU	25	33.3	95	M10	124	32	13	65	39.7	16
	PB-25M-DX										
30	PB3-30M-DU	30	41.3	122	M12	159	41	16	81	51	22
	PB3-30M-DX										
35	PB4-35M-DU	35	49.2	137	M12	183	48	16	102	60.3	22
	PB4-35M-DX										
40	PB4-40M-DU	40	49.2	137	M12	183	48	16	102	60.3	22
	PB4-40M-DX										
45	PB5-45M-DU	45	54.0	152	M12	194	54	16	113	73	22
	PB5-45M-DX										
50	PB6-50M-DU	50	61.9	168	M16	214	57	19	122	79.3	22
	PB6-50M-DX										
55	PB7-55M-DU	55	66.7	197	M16	247	64	22	135	83	22
	PB7-55M-DX										
60	PB7-60M-DU	60	66.7	197	M16	247	64	22	135	83	22
	PB7-60M-DX										
65	PB7-65M-DU	60	66.7	197	M16	247	64	22	135	83	22
	PB7-65M-DX										
70	PB8-70M-DU	65	71.4	200	M16	254	70	25	143	89	22
	PB8-70M-DX										
75	PB8-75M-DU	65	71.4	200	M16	254	70	25	143	89	22
	PB8-75M-DX										
80	PB9-80M-DU	80	87.3	235	M20	295	89	32	175	108	27
	PB9-80M-DX										
85	PB9-85M-DU	80	87.3	235	M20	295	89	32	175	108	27
	PB9-85M-DX										
90	PB10-90M-DU	80	101.6	279	M20	330	102	32	206	130	30
	PB10-90M-DX										
100	PB10-100M-DU	80	101.6	279	M20	330	102	32	206	130	30
	PB10-100M-DX										