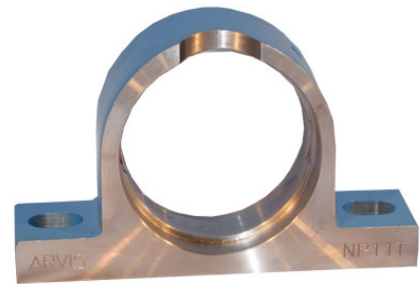


NP Series

STEEL PILLOW BLOCKS (Also available in Stainless Steel)

Guaranteed against breakage.

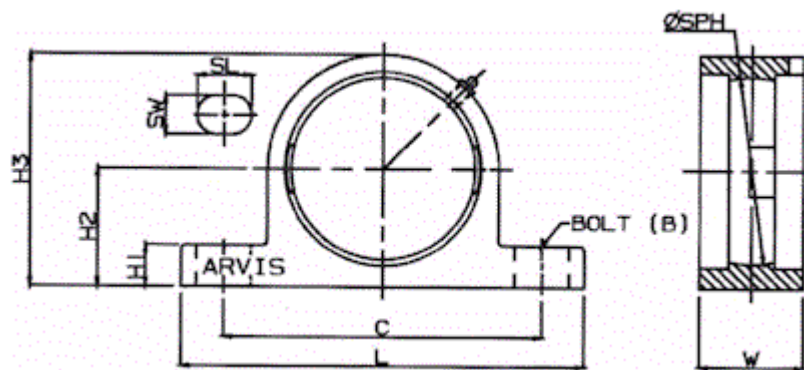


Heavy-duty steel housings for self aligning ball bearing inserts.

For use in arduous conditions where cast iron units break due to shock or vibration.

To suit any manufacturers insert*

NP Series (ISO) Dimensions.



Part No	BRG	Øsph	L	C	W	H1	H2	H3	SL	SW	BOLT
NP2T	1020	47	127	95	27.5	14	33.3	65.2	19	13	M10
NP3T	1025	52	139	105	32	16	36.5	71	38	13	M10
NP4T	1030	62	161	119	38	17.7	42.9	83	22.5	13	M12
NP5T	1035	72	166	129	43	17.5	47.6	93	19.5	14	M12
NP6T	1040	80	180	137.5	43	18.3	49.2	98.5	28	14	M12
NP7T	1045	85	191	146	47	20	54	108	20	14	M12
NP8T	1050	90	206	158.5	48	21	57.2	115	21	18	M16
NP9T	1055	100	220	170	57	25	63.5	129.5	24	18	M16
NP10T	1060	110	241	184.15	57	22.2	69.9	141.5	24	18	M16
NP10T/65T	1065	120	241	184.15	57	22.2	69.9	141.5	24	18	M16
NP11T	1070	125	266	210	68	28	79.4	156	36	26	M24

* Arvis must be notified of the manufacturer of the insert to ensure the regrease facility and allen screw access facility match.