

MSF Series

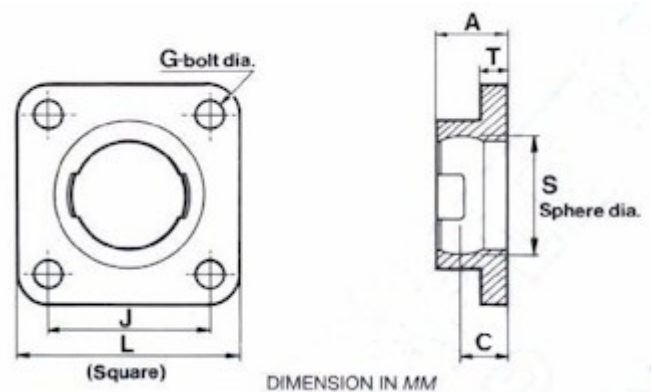
STEEL 4 BOLT FLANGE HOUSINGS.
(Also available in Stainless Steel)

Guaranteed against breakage.



Heavy-duty steel housings for self aligning ball bearing inserts.
For use in arduous conditions where cast iron units break due to shock, vibration, over-load or impact.

To suit any manufacturers insert*



MSF Series Dimensions.

Part No	BRG**	ØSPH	L	C	J	A	T	BOLT
MSF1T	1030	62	108	20	82.5	32	12.7	10
MSF2T	1035	72	117.5	21	92	34	12.7	12
MSF3T	1040	80	130.2	23	101.5	37	12.7	12
MSF4T	1045	85	136.5	25	105	38	14.3	16
MSF5T	1050	90	142.9	26	111	41	14.3	16
MSF6T	1055	100	161.9	30	130	44	17.5	16
MSF7T	1060	110	174.5	35	143	48	17.5	16
MSF8T	1070	125	187.5	32	149.2	48	18	20
MSF9T	1075	130	196.5	36.5	152.4	52	23	20
MSF10T	1080	140	196.5	38	152.4	58	23	20
MSF11T	8105	150	213.5	38	171.45	59	26	20
MSF12T	1090	160	213.5	42	171.45	65	26	20
MSF13T	3095	200	267.5	59	211.12	85	32	24

* Arvis must be notified of the manufacturer of the inserts ensure the regrease facility and allen screw access facility match.

** Figures shown are NSK-RHP references.

Please enquire if the size you require is not listed or if you require any modifications.