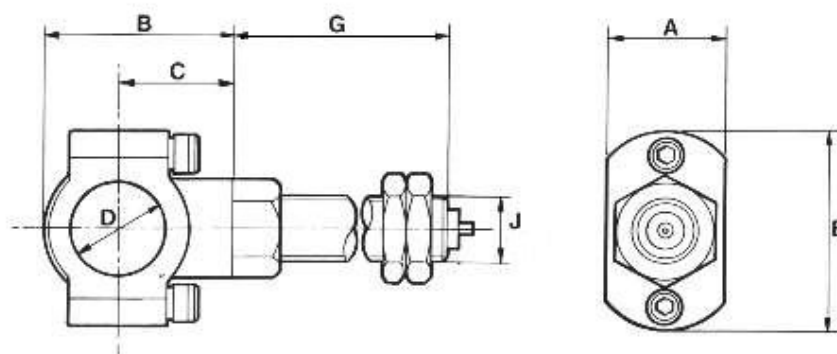


SPLIT GUNMETAL HANGER BEARINGS

The split housing is suspended on a threaded rod which is secured by lock nuts. The rod is drilled down the centre and a grease nipple fitted to enable grease to be fed to the journal.



D	PART No	MARK	DIMENSION INCHES					J	WEIGHT (Kg)		
			B	C	A	E	G				
5/8.	HB12E	A801	2 1/4	1 3/8	1 1/2	2 1/2	5 5/8	3/4 BSW	1.0		
1	HB16E	A801									
1 1/4	HB20E	A801									
1 3/8	HB22E#	A802	2 7/8	1 3/4	1 3/4	3	6 5/8	M24	1.8		
1 1/2	HB24E#	A802									
1 9/16	HB25E#	A802									
1 5/8	HB26E#	A802									
1 3/4	HB28E#	A804	4 1/8	2 1/2	2 1/2	4 1/4	9 3/4			M24	4.0
1 7/8	HB30E#	A804									
1 15/16	HB31E#	A804									
2	HB32E#	A804									
2 1/8	HB34E#	A804									
2 1/4	HB36E#	A804									

D	PART No	MARK	DIMENSION mm					J	WEIGHT (Kg)
			B	C	A	E	G		
20	HB20M	A801	57.52	34.9	38.1	63.5	145	3/4BSW	1.0
25	HB25M	A801							
30	HB30M	A801							
35	HB35M#	A802	73.0	44.5	44.5	76.2	168	M24	1.8
40	HB40M#	A802							
45	HB45M#	A804	104.8	63.5	63.5	108	248	M24	3.6
50	HB50M#	A804							
55	HB55M#	A804							

Specials available - any material. Customised versions of these units can be supplied. Specials made to order. Non metallic bushes or non standard bore sizes - no problem.