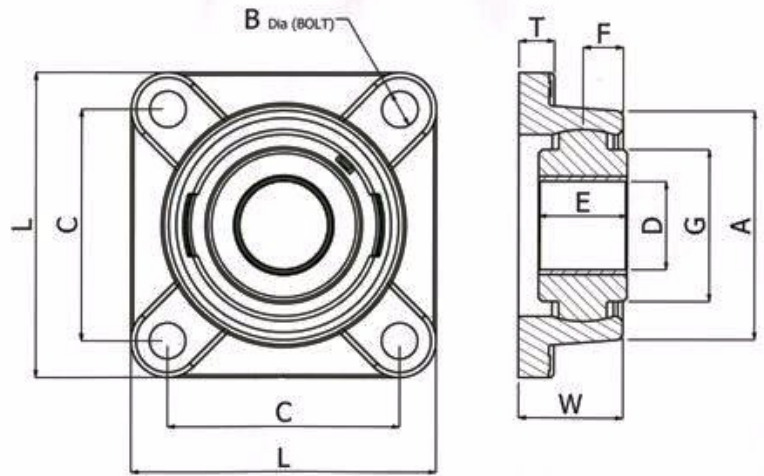


INCH RANGE



SHAFT DIA	SHAFT TOLERANCE	
	DU	DX
½" TO 3"	f7	h8
> 3"	H8	H8

D	Part No	E	C	B	L	T	W	A	F	G
1/2	FL1-08E-DU FL1-08E-DX	0.625	2.250	0.312	3.000	0.312	0.937	2.125	0.250	1.312
5/8	FL1-10E-DU FL1-10E-DX									
3/4	FL1-12E-DU FL1-12E-DX									
7/8	FL2-14E-DU FL2-14E-DX	0.875	2.500	0.375	3.500	0.375	1.125	2.500	0.375	1.562
1	FL2-16E-DU FL2-16E-DX									
1 1/8	FL3-18E-DU FL3-18E-DX	1.000	3.125	0.500	4.312	0.437	1.312	3.125	0.500	2.000
1 1/4	FL3-20E-DU FL3-20E-DX									
1 3/8	FL4-22E-DU FL4-22E-DX	1.375	3.625	0.500	4.750	0.562	1.687	3.750	0.625	2.375
1 1/2	FL4-24E-DU FL4-24E-DX									
1 5/8	FL4-26E-DU FL4-26E-DX									
1 3/4	FL5-28E-DU FL5-28E-DX	1.750	4.000	0.500	5.250	0.625	2.000	4.250	0.625	2.875
1 7/8	FL6-30E-DU FL6-30E-DX									
2	FL6-32E-DU FL6-32E-DX	2.250	5.125	0.625	6.500	0.687	2.500	5.375	0.875	3.625
2 1/4	FL7-36E-DU FL7-36E-DX									
2 1/2	FL8-40E-DU FL8-40E-DX	2.500	5.625	0.625	6.875	0.750	2.750	5.625	1.000	3.750
2 3/4	FL8-44E-DU FL8-44E-DX									
3	FL9-48E-DU FL9-48E-DX	3.000	6.000	0.750	7.750	0.875	3.125	6.750	1.125	4.250
3 1/2	FL10-56E-DU FL10-56E-DX									
4	FL10-64E-DU FL10-64E-DX	3.000	7.750	0.750	9.5	1.000	3.500	8.250	1.250	5.125