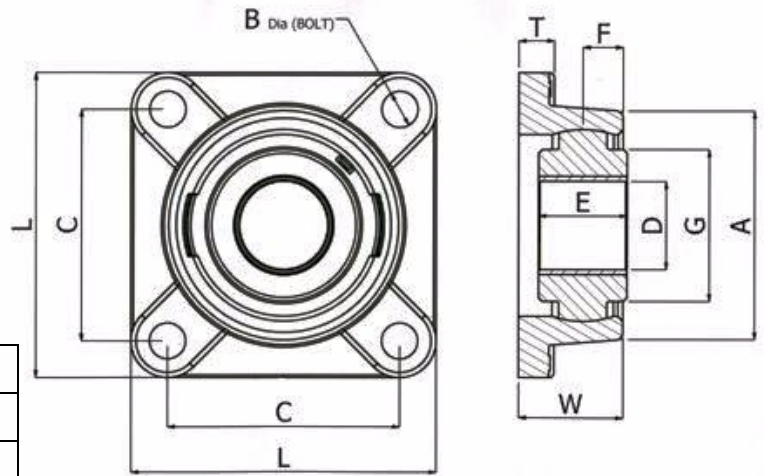


METRIC RANGE



| SHAFT DIA | SHAFT TOLERANCE | |
|-----------|-----------------|----|
| | DU | DX |
| 12 TO 75 | f7 | h8 |
| > 75 | H8 | H8 |

Type FL

All dimensions are in millimeters.

| D | Part No | E | C | B | L | T | W | A | F | G |
|-----|------------------------------|-----|-----|-----|-----|----|-------|-----|----|------|
| 10 | FL1-10M-DU FL1-10M-DX | 15 | 57 | M8 | 76 | 8 | 23 | 54 | 6 | 33.3 |
| 12 | FL1-12M-DU FL1-12M-DX | 15 | 57 | M8 | 76 | 8 | 23 | 54 | 6 | 33.3 |
| 15 | FL1-15M-DU FL1-15M-DX | 15 | 57 | M8 | 76 | 8 | 23 | 54 | 6 | 33.3 |
| 20 | FL2-20M-DU FL2-20M-DX | 20 | 64 | M10 | 89 | 10 | 27 | 64 | 10 | 39.7 |
| 25 | FL2-25M-DU FL2-25M-DX | 25 | 64 | M10 | 89 | 10 | 30 | 64 | 10 | 39.7 |
| 30 | FL3-30M-DU FL3-30M-DX | 30 | 79 | M12 | 110 | 11 | 36 | 79 | 13 | 51 |
| 35 | FL4-35M-DU FL4-35M-DX | 35 | 92 | M12 | 121 | 14 | 43 | 95 | 16 | 60.3 |
| 40 | FL4-40M-DU FL4-40M-DX | 40 | 92 | M12 | 121 | 14 | 45 | 95 | 16 | 60.3 |
| 45 | FL5-45M-DU FL5-45M-DX | 45 | 102 | M12 | 133 | 16 | 51 | 108 | 16 | 73 |
| 50 | FL6-50M-DU FL6-50M-DX | 50 | 111 | M12 | 143 | 16 | 58 | 117 | 21 | 79.3 |
| 55 | FL7-55M-DU FL7-55M-DX | 55 | 130 | M16 | 165 | 17 | 62 | 137 | 22 | 83 |
| 60 | FL7-60M-DU FL7-60M-DX | 60 | 130 | M16 | 165 | 17 | 65 | 137 | 22 | 83 |
| 65 | FL7-65M-DU FL7-65M-DX | 60 | 130 | M16 | 165 | 17 | 65 | 137 | 22 | 83 |
| 70 | FL8-70M-DU FL8-70M-DX | 65 | 143 | M16 | 175 | 19 | 71 | 143 | 25 | 89 |
| 75 | FL8-75M-DU FL8-75M-DX | 65 | 143 | M16 | 175 | 19 | 71 | 143 | 25 | 89 |
| 80 | FL9-80M-DU FL9-80M-DX | 80 | 152 | M20 | 197 | 22 | 81 | 171 | 29 | 108 |
| 85 | FL9-85M-DU FL9-85M-DX | 80 | 152 | M20 | 197 | 22 | 81 | 171 | 29 | 108 |
| 90 | FL10-90M-DU FL10-90M-DX | 80 | 197 | M20 | 241 | 25 | 91 | 210 | 32 | 130 |
| 100 | FL10-100M-DU FL10-100M-DX | 80 | 197 | M20 | 241 | 25 | 91 | 210 | 32 | 130 |
| 120 | FL10-120M-DU FL10-120M-DX | 80 | 197 | M20 | 241 | 25 | 91 | 210 | 32 | 130 |
| 120 | FL11-120MDU FL11-120M-DX | 120 | 260 | M28 | 340 | 45 | 151.5 | 300 | 40 | 190 |