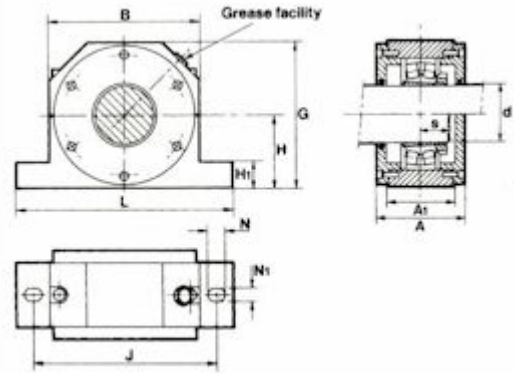


FLAME CUT STEEL BEARING HOUSINGS. Fully interchangeable with SN style bearing housings.

End covers are fully split
on this unit.
Can be 2 or 4 bolt.
Ends can be milled for ease
Of assembly & repeatability.



Machined to receive bearings with adapter sleeves. Can be machined for 2 or 4 bolt fixings.

Shaft Dia d		Type	H	J	N1	N	A	L	A1	H1	B	G	S	Bearing	Adapter Sleeve	Locating Rings			
(mm)	(Inches)															No	Designation		
45		FC 510SS	60	170	15	20	90	205	60	25	120	116		1210K	H 210	2	FRB 10.5/90		
																		2	FRB 9/90
																		2	FRB 9/90
50	1 15/16, 2	FC 511SS	70	210	18	23	90	255	60	28	160	140	28	1211K	H 211	2	FRB 11.5/100		
																		2	FRB 9.5/100
																		2	FRB 9.5/100
55		FC 512SS	70	210	18	23	95	255	65	30	170	140	30	1212K	H212	2	FRB 13/110		
																		2	FRB 10/1110
																		2	FRB 10/110
60	2 3/16, 2 1/4	FC 513SS	80	230	18	23	105	275	70	30	190	160	33	1213K	H213	2	FRB 14/120		
																		2	FRB 10/120
																		2	FRB 10/120
65	2 7/16, 2 1/2	FC 515SS	80	230	18	23	105	280	70	30	190	160	34	1215K	H215	2	FRB 15.5/130		
																		2	FRB 12.5/130
																		2	FRB 12.5/130
70	2 11/16, 2 3/4	FC 516SS	95	260	22	27	110	315	75	32	210	190	37	1216K	H216	2	FRB 16/140		
																		2	FRB 12.5/140
																		2	FRB 12.5/140
75	2 15/16, 3	FC 517SS	95	260	22	27	115	320	85	32	210	190	40	1217K	H217	2	FRB 16.5/150		
																		2	FRB 12.5/150
																		2	FRB 12.5/150
80	3 3/16	FC 518SS	100	290	22	27	130	345	95	35	235	220	47	1218K	H218	2	FRB 17.5/160		
																		2	FRB 12.5/160
																		2	FRB 12.5/160
																		2	FRB 6.25/160
85	3 5/16, 3 1/4	FC 519SS	112	290	22	27	135	345	95	35	235	222	45	1219K	H 219	2	FRB 18/170		
																		2	FRB 12.5/170
																		2	FRB 12.5/170
90	3 7/16, 3	FC 520SS	112	320	26	32	145	380	105	40	260	222	53	1220K	H220	2	FRB 18/180		
																		2	FRB 12/180
																		2	FRB 12/180
																		2	FRB 4.85/180
100	3 15/16, 4	FC 522SS	125	350	26	32	155	410	110	45	290	250	58	1222K	H222	2	FRB 21/200		
																		2	FRB 13.5/200
																		2	FRB 13.5/200
																		2	FRB 5.1/200
110	4 3/16, 4 1/4	FC 524SS	140	350	26	32	170	410	120	45	120	280	62	22224CK/W33	H3124	2	FRB 22/215		
																		2	FRB 14/215
115	4 7/16, 4 1/2	FC 526SS	150	380	28	35	180	445	130	50	320	300	65	22226CK/W33	H3126	2	FRB 5/230		
																		2	FRB 15/5/230
125	4 15/16, 5	FC 528SS	150	420	35	42	190	500	135	50	350	305	70	22228CK/W33	H 3128	2	FRB 15/250		
																		2	FRB 5/250
135	5 3/16, 5 1/4	FC 530SS	160	450	35	42	200	530	145	60	370	325	76	22230CK/W33	H 3130	2	FRB 16.5/270		
																		2	FRB 16.5/270
140	5 7/16, 5 1/2	FC 532SS	170	470	35	42	220	550	160	60	390	345	82	22232CK/W33	H3132	2	FRB 17/290		
																		2	FRB 5/290