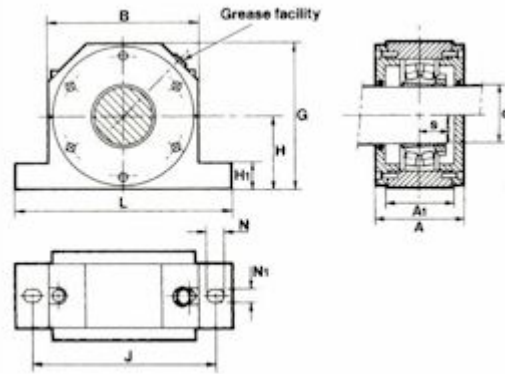
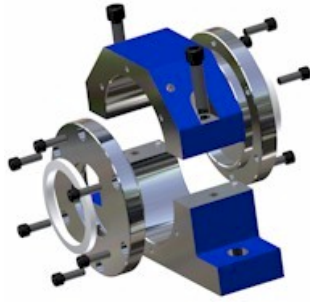


## FLAME CUT STEEL BEARING HOUSINGS. Fully interchangeable with SN style bearing housings.

End covers are not split on this unit. If fully split units are required order as FC5xxSS.  
Can be 2 or 4 bolt.  
Ends can be milled for ease of assembly & repeatability.



Machined to receive bearings with adapter sleeves. Can be machined for 2 or 4 bolt fixings.

| Shaft Dia d |                | Type    | H   | J   | N1 | N  | A   | L   | A1  | H1 | B   | G   | S  | Bearing | Adapter Sleeve | Locating Rings |              |
|-------------|----------------|---------|-----|-----|----|----|-----|-----|-----|----|-----|-----|----|---------|----------------|----------------|--------------|
| (mm)        | (Inches)       |         |     |     |    |    |     |     |     |    |     |     |    |         |                | No             | Designation  |
| 45          |                | FC 510S | 60  | 170 | 15 | 20 | 90  | 205 | 60  | 25 | 120 | 116 |    |         |                | 2              | FRB 10.5/90  |
|             |                |         |     |     |    |    |     |     |     |    |     |     |    |         |                | 2              | FRB 9/90     |
|             |                |         |     |     |    |    |     |     |     |    |     |     |    |         |                | 2              | FRB 9/90     |
| 50          | 1 15/16, 2     | FC 511S | 70  | 210 | 18 | 23 | 90  | 255 | 60  | 28 | 160 | 140 | 28 |         |                | 2              | FRB 11.5/100 |
|             |                |         |     |     |    |    |     |     |     |    |     |     |    |         |                | 2              | FRB 9.5/100  |
|             |                |         |     |     |    |    |     |     |     |    |     |     |    |         |                | 2              | FRB 9.5/100  |
| 55          |                | FC 512S | 70  | 210 | 18 | 23 | 95  | 255 | 65  | 30 | 170 | 140 | 30 |         |                | 2              | FRB 13/110   |
|             |                |         |     |     |    |    |     |     |     |    |     |     |    |         |                | 2              | FRB 10/1110  |
|             |                |         |     |     |    |    |     |     |     |    |     |     |    |         |                | 2              | FRB 10/110   |
| 60          | 2 3/16, 2 1/4  | FC 513S | 80  | 230 | 18 | 23 | 105 | 275 | 70  | 30 | 190 | 160 | 33 |         |                | 2              | FRB 14/120   |
|             |                |         |     |     |    |    |     |     |     |    |     |     |    |         |                | 2              | FRB 10/120   |
|             |                |         |     |     |    |    |     |     |     |    |     |     |    |         |                | 2              | FRB 10/120   |
| 65          | 2 7/16, 2 1/2  | FC 515S | 80  | 230 | 18 | 23 | 105 | 280 | 70  | 30 | 190 | 160 | 34 |         |                | 2              | FRB 15.5/130 |
|             |                |         |     |     |    |    |     |     |     |    |     |     |    |         |                | 2              | FRB 12.5/130 |
|             |                |         |     |     |    |    |     |     |     |    |     |     |    |         |                | 2              | FRB 12.5/130 |
| 70          | 2 11/16, 2 3/4 | FC 516S | 95  | 260 | 22 | 27 | 110 | 315 | 75  | 32 | 210 | 190 | 37 |         |                | 2              | FRB 16/140   |
|             |                |         |     |     |    |    |     |     |     |    |     |     |    |         |                | 2              | FRB 12.5/140 |
|             |                |         |     |     |    |    |     |     |     |    |     |     |    |         |                | 2              | FRB 12.5/140 |
| 75          | 2 15/16, 3     | FC 517S | 95  | 260 | 22 | 27 | 115 | 320 | 85  | 32 | 210 | 190 | 40 |         |                | 2              | FRB 16.5/150 |
|             |                |         |     |     |    |    |     |     |     |    |     |     |    |         |                | 2              | FRB 12.5/150 |
|             |                |         |     |     |    |    |     |     |     |    |     |     |    |         |                | 2              | FRB 12.5/150 |
| 80          | 3 3/16         | FC 518S | 100 | 290 | 22 | 27 | 130 | 345 | 95  | 35 | 235 | 220 | 47 |         |                | 2              | FRB 17.5/160 |
|             |                |         |     |     |    |    |     |     |     |    |     |     |    |         |                | 2              | FRB 12.5/160 |
|             |                |         |     |     |    |    |     |     |     |    |     |     |    |         |                | 2              | FRB 12.5/160 |
| 85          | 3 5/16, 3 1/4  | FC 519S | 112 | 290 | 22 | 27 | 135 | 345 | 95  | 35 | 235 | 222 | 45 |         |                | 2              | FRB 18/170   |
|             |                |         |     |     |    |    |     |     |     |    |     |     |    |         |                | 2              | FRB 12.5/170 |
|             |                |         |     |     |    |    |     |     |     |    |     |     |    |         |                | 2              | FRB 12.5/170 |
| 90          | 3 7/16, 3      | FC 520S | 112 | 320 | 26 | 32 | 145 | 380 | 105 | 40 | 260 | 222 | 53 |         |                | 2              | FRB 18/180   |
|             |                |         |     |     |    |    |     |     |     |    |     |     |    |         |                | 2              | FRB 12/180   |
|             |                |         |     |     |    |    |     |     |     |    |     |     |    |         |                | 2              | FRB 12/180   |
| 100         | 3 15/16, 4     | FC 522S | 125 | 350 | 26 | 32 | 155 | 410 | 110 | 45 | 290 | 250 | 58 |         |                | 2              | FRB 21/200   |
|             |                |         |     |     |    |    |     |     |     |    |     |     |    |         |                | 2              | FRB 13.5/200 |
|             |                |         |     |     |    |    |     |     |     |    |     |     |    |         |                | 2              | FRB 13.5/200 |
| 110         | 4 3/16, 4 1/4  | FC 524S | 140 | 350 | 26 | 32 | 170 | 410 | 120 | 45 | 120 | 280 | 62 |         |                | 2              | FRB 22/215   |
|             |                |         |     |     |    |    |     |     |     |    |     |     |    |         |                | 2              | FRB 14/215   |
|             |                |         |     |     |    |    |     |     |     |    |     |     |    |         |                | 2              | FRB 10/215   |
| 115         | 4 7/16, 4 1/2  | FC 526S | 150 | 380 | 28 | 35 | 180 | 445 | 130 | 50 | 320 | 300 | 65 |         |                | 2              | FRB 5/230    |
|             |                |         |     |     |    |    |     |     |     |    |     |     |    |         |                | 2              | FRB 15/5/230 |
|             |                |         |     |     |    |    |     |     |     |    |     |     |    |         |                | 2              | FRB 15/5/230 |
| 125         | 4 15/16, 5     | FC 528S | 150 | 420 | 35 | 42 | 190 | 500 | 135 | 50 | 350 | 305 | 70 |         |                | 2              | FRB 15/250   |
|             |                |         |     |     |    |    |     |     |     |    |     |     |    |         |                | 2              | FRB 5/250    |
|             |                |         |     |     |    |    |     |     |     |    |     |     |    |         |                | 2              | FRB 5/250    |
| 135         | 5 3/16, 5 1/4  | FC 530S | 160 | 450 | 35 | 42 | 200 | 530 | 145 | 60 | 370 | 325 | 76 |         |                | 2              | FRB 16.5/270 |
|             |                |         |     |     |    |    |     |     |     |    |     |     |    |         |                | 2              | FRB 16.5/270 |
|             |                |         |     |     |    |    |     |     |     |    |     |     |    |         |                | 2              | FRB 16.5/270 |
| 140         | 5 7/16, 5 1/2  | FC 532S | 170 | 470 | 35 | 42 | 220 | 550 | 160 | 60 | 390 | 345 | 82 |         |                | 2              | FRB 17/290   |
|             |                |         |     |     |    |    |     |     |     |    |     |     |    |         |                | 2              | FRB 17/290   |
|             |                |         |     |     |    |    |     |     |     |    |     |     |    |         |                | 2              | FRB 5/290    |