

ANGULAR PATTERN NON SELF OILING PLUMMER BLOCKS

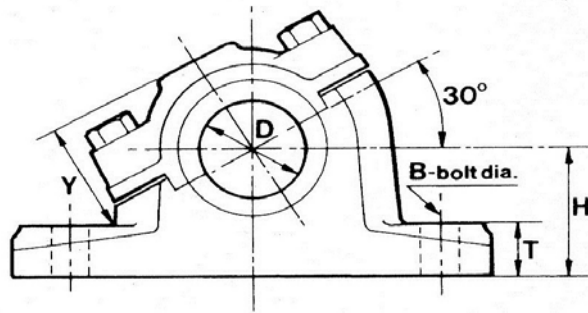
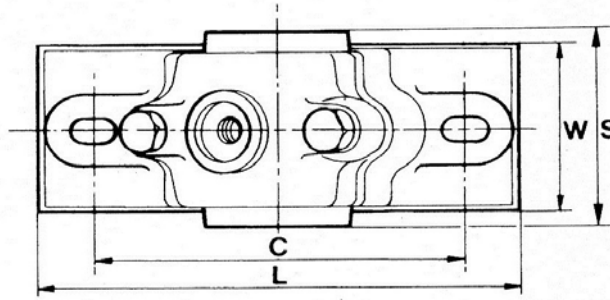
Cap Bolts

Sizes 1" to 4" have 2 cap bolts.
 Sizes 5" to 8" have 4 cap bolts

Holding Down Bolts

Sizes 1" to 5 1/2" have 2HD bolts
 Sizes 6" to 8" have 4 HD Bolts
 Grease nipples supplied.

Angular Pattern 1 1/2 and 2
 diametres through
 (dimensions S)



Note: These units were originally made to inch dimensions. The same castings are used for imperial & metric sizes and the '1 1/2 times' and '2 times' rule applies only to the inch dimensions. Therefore, the distances through the metric bore sizes are 1 1/2 or 2 times the inch size.

D MM	Order Ref		Dimensions MM									Weight (KGS)		BSP Grease Nipple	
	1 1/2 DIA	2 DIA	L	C	CROSSCENTRES when S is		H	Y	W when S is		T	B (M/M)	1 1/2 DIA		2 DIA
					1 1/2 DIA	2 DIA			1 1/2 DIA	2 DIA					
25	NS20M1A	NS20M2A	160	120			44.5	30	30	45	19	M10	1.4	2.0	1/8"
30	NS30M1A	NS30M2A	180	140			50.8	37	40	55	19	M10	2.1	2.7	
40	NS40M1A	NS40M2A	210	160			57.2	40	45	65	22	M12	3.3	4.9	
45	NS45M1A	NS45M2A	230	180			63.5	50	50	70	22	M12	5.4	6.4	
50	NS50M1A	NS50M2A	260	195			69.9	55	55	85	25	M16	6.9	9.3	
55	NS55M1A	NS55M2A	265	210			76.2	60	65	90	30	M16	11.1	13.0	1/4"
60	NS60M1A	NS60M2A	305	235			82.6	65	75	100	30	M20	12.5	16.4	
65	NS65M1A	NS65M2A													
70	NS70M1A	NS70M2A	325	255			88.9	70	85	110	35	M20	17.5	20.5	
75	NS75M1A	NS75M2A	350	280			101.6	80	90	125	40	M20	20.1	25.7	
80	NS80M1A	NS80M2A	375	290			108	85	95	135	40	M20	25.2	35.1	3/8"
85	NS85M1A	NS85M2A													
90	NS90M1A	NS90M2A	395	305			114.3	90	100	145	45	M20	29.4	42.1	
95	NS95M1A	NS95M2A	440	345			127	105	115	165	50	M24	42	59	
100	NS100M1A	NS11M2A													
110	NS110M1A	NS110M2A	500	395			139.7	115	135	185	55	M30	62	83	2 X 3/8"
115	NS115M1A	NS115M2A													
125	NS125M1A	NS125M2A	520	405			152.4	125	150	210	60	M30	84	106	
140	NS140M1A	NS140M2A	565	445			165.1	135	165	225	65	M30	108	133	2 X 3/8"
150	NS150M1A	NS150M2A	610	470	90	125	177.8	145	180	240	65	M30	132	168	
160	NS160M1A	NS160M2A										M30	180	225	
165	NS165M1A	NS165M2A	685	535	95	140	190.5	165	195	265	75				
170	NS170M1A	NS170M2A													
180	NS180M1A	NS180M2A	710	560	100	145	203.2	190	205	290	80	M30	210	270	2 X 3/8"
190	NS190M1A	NS190M1A	760	592	110	150	215.9	195	215	310	85	M36	246	327	
200	NS200M1A	NS200M2A	810	635	115	165	228.6	205	235	335	90	M36	294	401	